

HIGHLY EFFICIENT SOFT MOUNT WASHER EXTRACTORS FOR FACILITY MANAGEMENT



TESTED AND CERTIFIED BY EXPERTS FOR DISINFECTION AT 40°C¹

FX RANGE

FX 180 MOP	FX 240 MOP	FX 280 MOP
18KG 40LB	24KG 53LB	28KG 62LB



STANDARD CONFIGURATION

- Freestanding, high spin
- 400G extraction speed
- Cascade Drum: increased water extraction
- Special drum holes: optimal dirt & moisture removal
- Stainless steel top and anthracite front and side panel
- Stainless steel drum and tub
- Patented soap hopper
- Liquid soap connection
- Large drain valve (Ø 76 mm)
- Easy access to all vital parts from the front
- USB+RS485 plug
- Liquid soap pumps
- 3rd water inlet
- XControl FLEX PLUS – multilanguage fully programmable touch screen

DIRT COLLECTORS & BASE FRAMES

- Avoiding drain issues following blockage
- Separate dirt collector:
 - Easy to install next or behind the machine
 - Easy visual check: easy maintenance
 - Available in size of 180 - 280L volume
 - To be used with a 200mm-base frame to achieve optimal results
- Integrated "SDC"-dirt collector:
 - Same footprint as the machine
 - Stainless steel construction, 323mm height

MOP-PROGRAMMES DEVELOPED BY FM-EXPERTS

- Special mop programmes:
 - 20 standard pre-set programmes
 - 9 new mop-specific programmes
 - Pre-impregnation for all types of cleaning textiles
 - Chemothermal & thermal disinfection
- Mop-programmes tested & validated by Wfk-Institute
- Trace-Tech® and i-Trace® tracking system:
 - Enables complete quality control through records and statistics for each batch
 - Cloud-based monitoring dashboard available with i-Trace®

Number of mops per load*	FX180 MOP	FX240 MOP	FX280 MOP
Mops 100g**	162	216	252
Mops 180g**	90	120	140
Mops 200g**	81	108	126
Mops 230g**	70	94	110
Microfiber cloths 16g	1013	1350	1575
Microfiber cloths 22g	736	982	1145
Microfiber cloths 25g	648	864	1008

* Figures are indicative. Contact your Primus partner to get accurate information about your requirements.

** Dimensions of mops 50cm x 12cm

¹99,9999 % reduction of Escherichia coli K12 NCTC 10538, Staphylococcus aureus ATCC 6538, Salmonella enterica ATCC 13076, Candida albicans ATCC 10231, Aspergillus brasiliensis ATCC 16404 in the mop washing program „Mop washing program for main wash temperature 40° C“ with „Eltra 40 extra“ laundry detergent and a load size of 7.5 kg - investigation MB 1880/19 dated April 16, 2020 conducted by wfk-Institut für Angewandte Forschung GmbH commissioned by Alliance Laundry CE s.r.o..



INTUITIVE TOUCH SCREEN CONTROL



LARGE DOOR OPENING



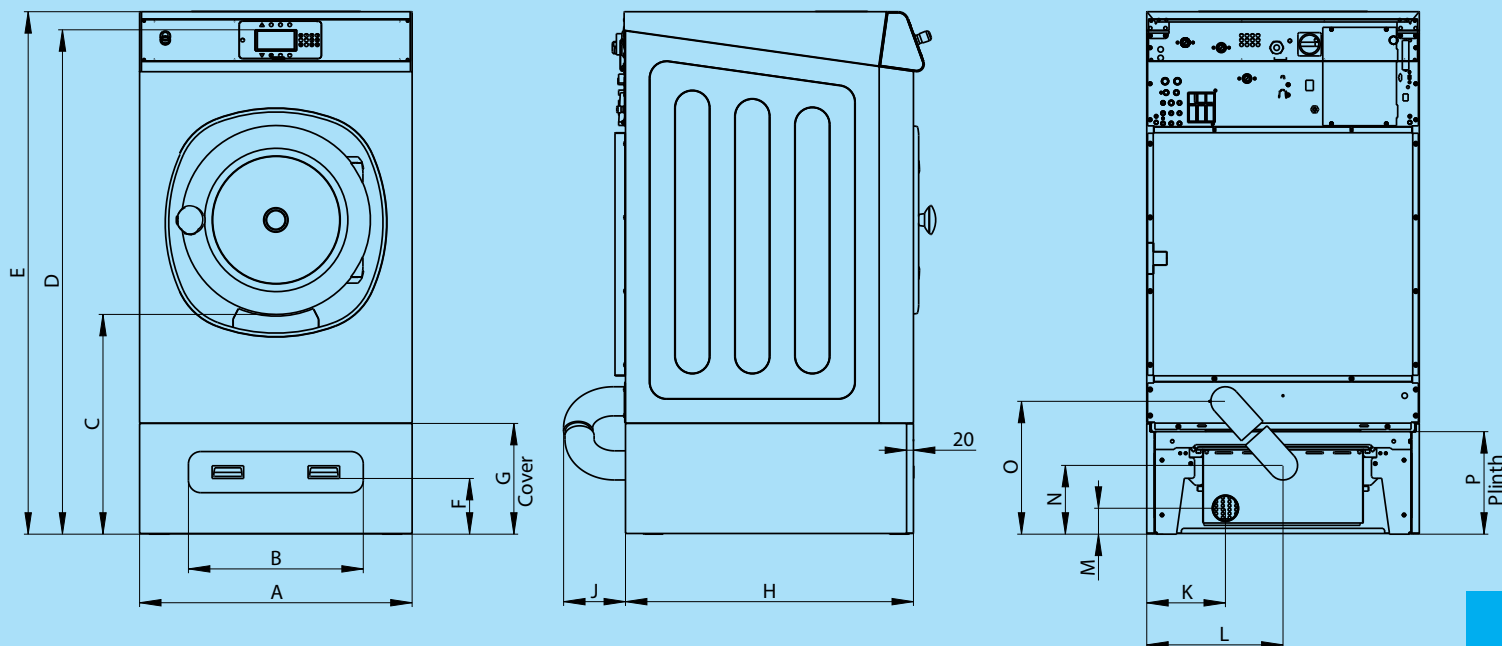
LOW WATER AND ENERGY CONSUMPTION

*Consult your sales representative for availability

GET AHEAD IN LAUNDRY

TYPE		FX180 MOP	FX240 MOP	FX280 MOP
INNERDRUM				
Capacity 1:9	kg /lb	20/44	27/60	31/68
Capacity 1:10	kg /lb	18/40	24/53	28/62
Volume	L	180	240	280
Diameter	mm	750	750	750
DRUM SPEED				
Wash	rpm	42	42	42
Extraction	rpm	980	980	915
G-FACTOR				
		400	400	350
HEATING				
Electricity (standard)	kW	12 / 18	18	18 / 21,9
Steam	bar	1-8	1-8	1-8
Hot water	°C	90	90	90
Sound pressure level	dB (A)	< 65	< 65	< 65
Water valves connection	BSP	3/4"	3/4"	3/4"
Water pressure	kPa	100-800	100-800	100-800
Rec. water pressure	kPa	300-500	300-500	300-500
Water inlet	l/min	20	20	20-50
Drain valve	outer Ø mm	76	76	76
Flow amount with drain valve	l/min	210	210	210
Steam valve connection	BSP	1/2"	1/2"	1/2"
Steam pressure	kPa	100-800	100-800	100-800
DIMENSIONS*				
Size H x W x D	mm	1430×970×970	1430×970×1105	1430×970×1185
Net Weight	kg	380	430	495
TRANSPORT DATA*				
Packed H x W x D	mm	1550×1025×1015	1550×1025×1150	1550×1025×1225
Gross weight	kg	395	450	515

*without dirt collector



DIMENSIONS

	A	B	C	D	E	F	G	H	I	J	K	L	M	N	O	P
FX180	970	640	777	1654	1710	162	323	869	-	275	270	485	76	200	408	300
FX240	970	640	777	1654	1710	162	323	1004	-	180	270	485	76	200	408	300
FX280	970	640	777	1654	1710	162	323	1079	-	180	270	485	76	200	408	300

The Primus preserves the right to change the machines and the specification in this leaflet at any time, without prior notice. Details and photographs are only for information and never binding.

www.primuslaundry.com



Primus by Alliance Laundry Systems